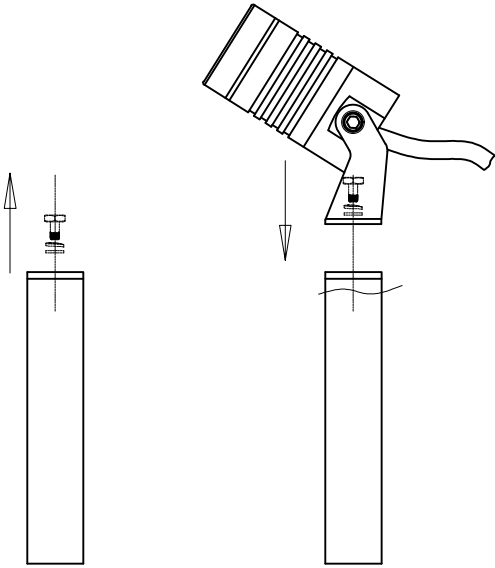


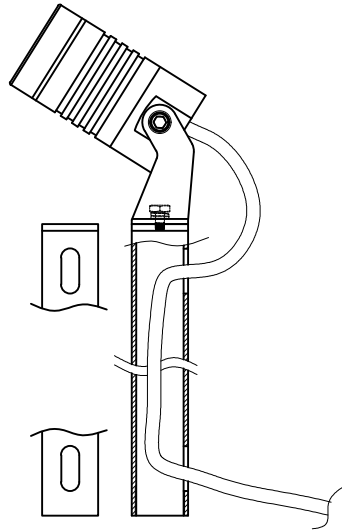
Pole with round base used with spot light installation instructions

1.



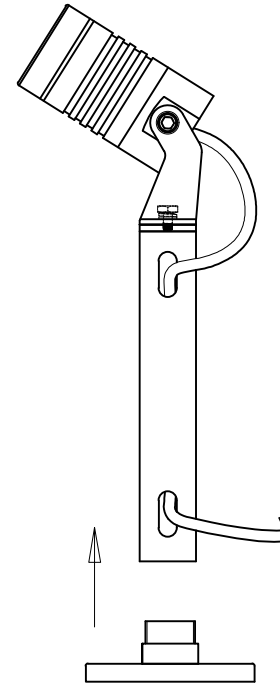
- 1.1 ,Screw out the screw from the pole.
- 1.2 ,Fix the lighting fixture on the pole with the screw.

2.



- 2, Make the cable go from the up hole into the tube and then go out from the down hole of the tube.

3.



- 3, fix the round base part to the tube by rotating tightly.